



# AMP® Low Voltage Landscape Lighting

## Single Source LED MR16 Color Lamp- MR16-35-RGBCW1

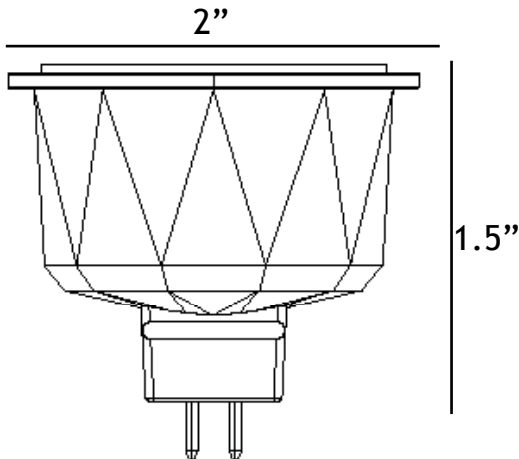
### PRODUCT DESCRIPTION

Introducing the first ever VOLT® RGBCW LED MR16 bulb – our first replaceable color-changing LED bulb. Effortlessly choose from a wide spectrum of colors, adjust the brightness, control the color temperature (warm 2200K to crisp, bright 4000K), or set up to 6 zones all through the RF remote (sold separately).

Ideal for applications where balanced, multi-colored illumination is desired. Designed and optimized to fit all current MR16 fixtures.



### PRODUCT DIMENSIONS



### SPECIFICATIONS

- ▶ **Input Voltage:** 11-16V, 50/60Hz AC
- ▶ **Beam Angles:** 38° or 60° beam spreads
- ▶ **Correlated Color Temperature (CCT):** 2200K, 2700K, 3000K, 4000K
- ▶ **Color Rendering Index (CRI):** > 80
- ▶ **Operating Voltage:** 12VAC
- ▶ **Powered by:** AMP's Low Voltage Transformer
- ▶ **Watts:** 6W
- ▶ **Lumens:** 260 at 2200K | 300 at 4000K | 25 at Red | 80 at Green | 20 at Blue

### FEATURES & BENEFITS

- ▶ Replacements for 35W Halogen MR16 lamps
- ▶ 38° or 60° beam spreads
- ▶ **Requires AMP® RF Remote Control (sold separately) for usage. One remote controls all AMP® RGBCW lamps.**
- ▶ Designed and optimized for compatibility with all current MR16 fixtures.
- ▶ RGB + Cool White to Warm White
- ▶ Dimmable

### WARRANTY

Residential: Lifetime Warranty  
 Commercial: 10-Year Warranty